



Raychem GelPort 600 Connector Submersible Secondary Connectors for 600kcmil – 6AWG (300mm² - 16mm²) Sector Cable

KEY FEATURES

- Corrosion resistant
- No loose parts due to one piece housing
- Gel-filled cable entry ports provide a reliable cable seal
- Voltage range - 600V
- Tested up to 700 A
- Clear view back allows for easy positive visual indication of wire position in connector

The GelPort connection system represents a revolutionary product for secondary connectors. Strip the cable and push it into the gel-filled cable port. The cable is encapsulated in gel and instantly sealed. Fast, reliable installation - every time. It's that simple.

PowerGel sealing gel was specifically developed for the electrical power industry. It consists of a chemically cross-linked silicone elastomer with silicone oil. PowerGel sealing gel is hydrophobic and provides an excellent moisture seal over a wide operating temperature range (-40° C to 95° C). It is compatible with solid dielectric cable insulation and connector deoxidizing greases and has excellent insulation properties.



Raychem
from TE Connectivity

Product Selection						
Catalogue Number	Clear view	Number of wire ports	Conductor use range (mm ²)	Length inches (mm)	Width inches (mm)	Height inches (mm)
GPRT-600-3P*	-C	3 hybrid	(2) Outer Ports: 350 - 600 (185-300)	5.02 (128)	3.55 (90)	4.14 (105)
			(1) Center Port: 6 - 500 (16-185)			

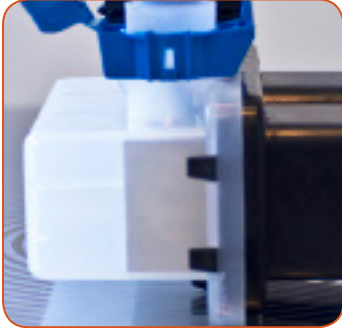
*Note: Back is black. For clear view back, add "-C" to catalog number

Clear Back

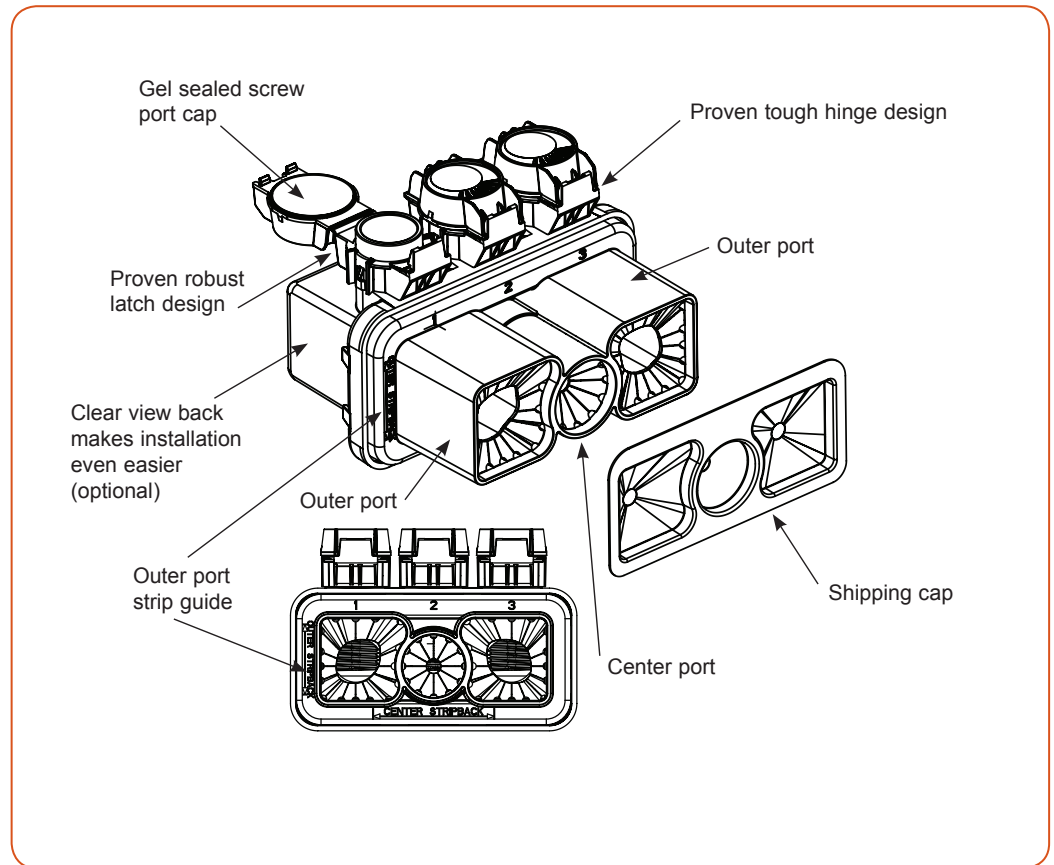
Hinged Cap

Dual Rated,
Sectored Cable Compatible

Gel-Filled Ports



Testing	Test Condition
Complete unit	ANSI C119.1, 2011 Report: EDR-6180
Connector	ANSI C119.4, 2011 Report: 504-47428 Rev A
Chemical Resistance	ASTM D543 to the following liquids: Sulfuric Acid, Sodium Sulfate, Sodium Chloride, Sodium Hydroxide, Ethylene Glycol
UV Resistance	ASTM G-53-95, ASTM-D-638-95



TE Technical Support

Auckland, New Zealand: +64 (9) 634 4580

energy.te.com

© 2013 Tyco Electronics Corporation,
a TE Connectivity Ltd. Company. All Rights Reserved.

1-1773706-2 E529 05/2013
Gelport, PowerGel, Raychem, TE Connectivity and TE connectivity (logo) are trademarks. Other logos, product and/or company names might be trademarks of their respective owners.



While TE has made every reasonable effort to ensure the accuracy of the information in this brochure, TE does not guarantee that it is error-free, nor does TE make any other representation, warranty or guarantee that the information is accurate, correct, reliable or current. TE reserves the right to make any adjustments to the information contained herein at any time without notice. TE expressly disclaims all implied warranties regarding the information contained herein, including, but not limited to, any implied warranties of merchantability or fitness for a particular purpose. The dimensions in this catalog are for reference purposes only and are subject to change without notice. Specifications are subject to change without notice. Consult TE for the latest dimensions and design specifications.